



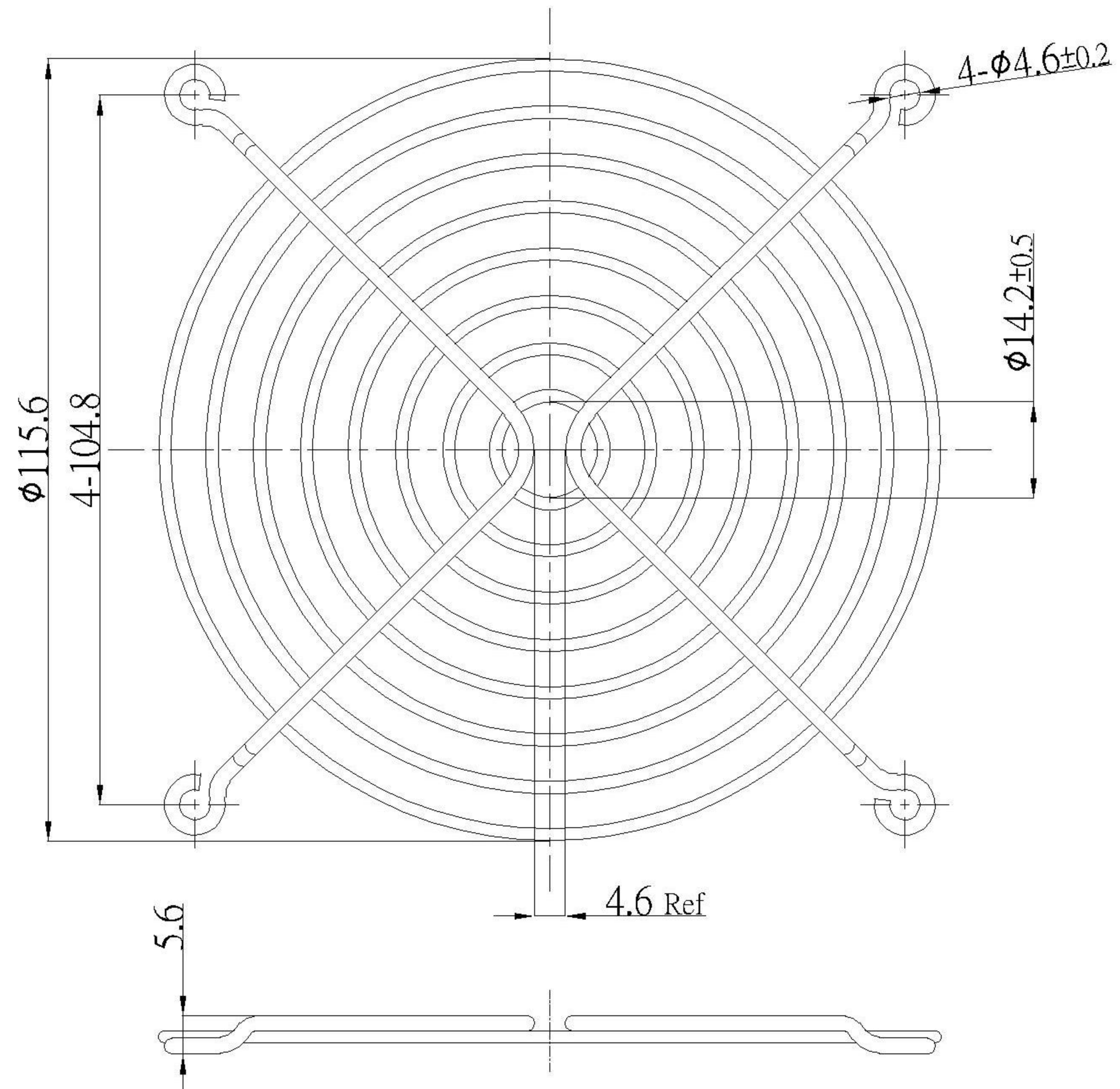
**GARDTEC**

Revision	Date	Approved	Name

Part Number:

SC120-W16

Material: C1008 Steel  
Finish: Bright Nickel Chrome Plating  
Ring Diameter: 1.8mm  
Rib Diameter: 2.3mm  
Unit: mm  
RoHS Compliant



These drawings are the property of Gardtec, Inc and cannot be reproduced for or communicated to a third party without the express written permission of Gardtec, Inc.