



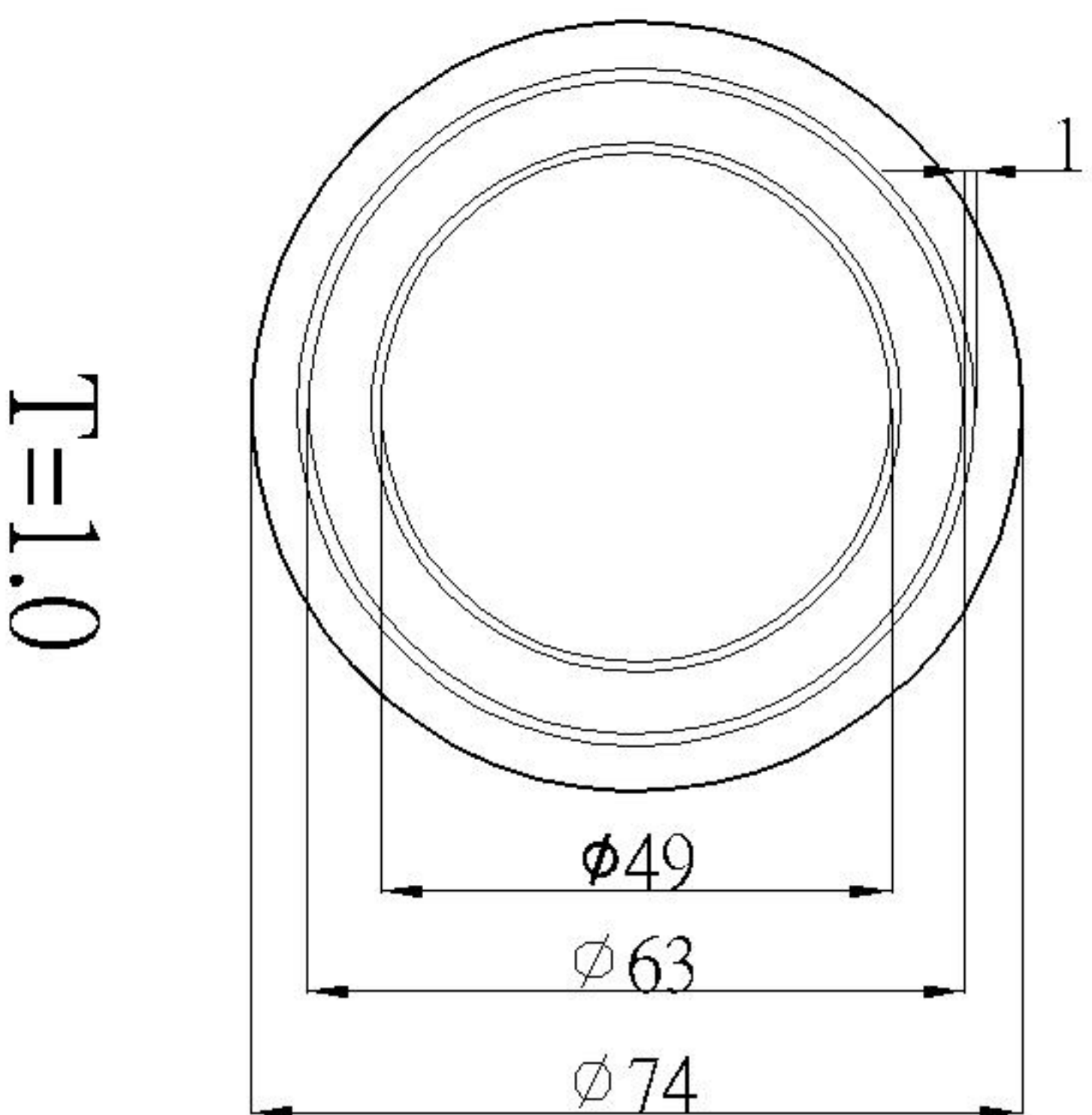
GARDTEC

Revision	Date	Approved	Name

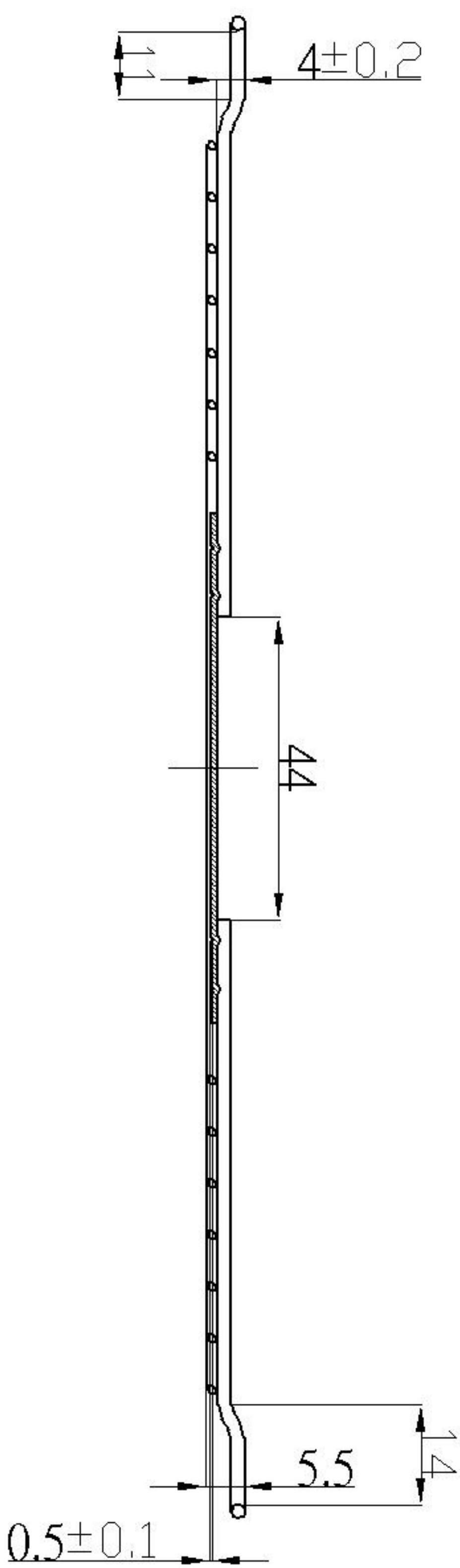
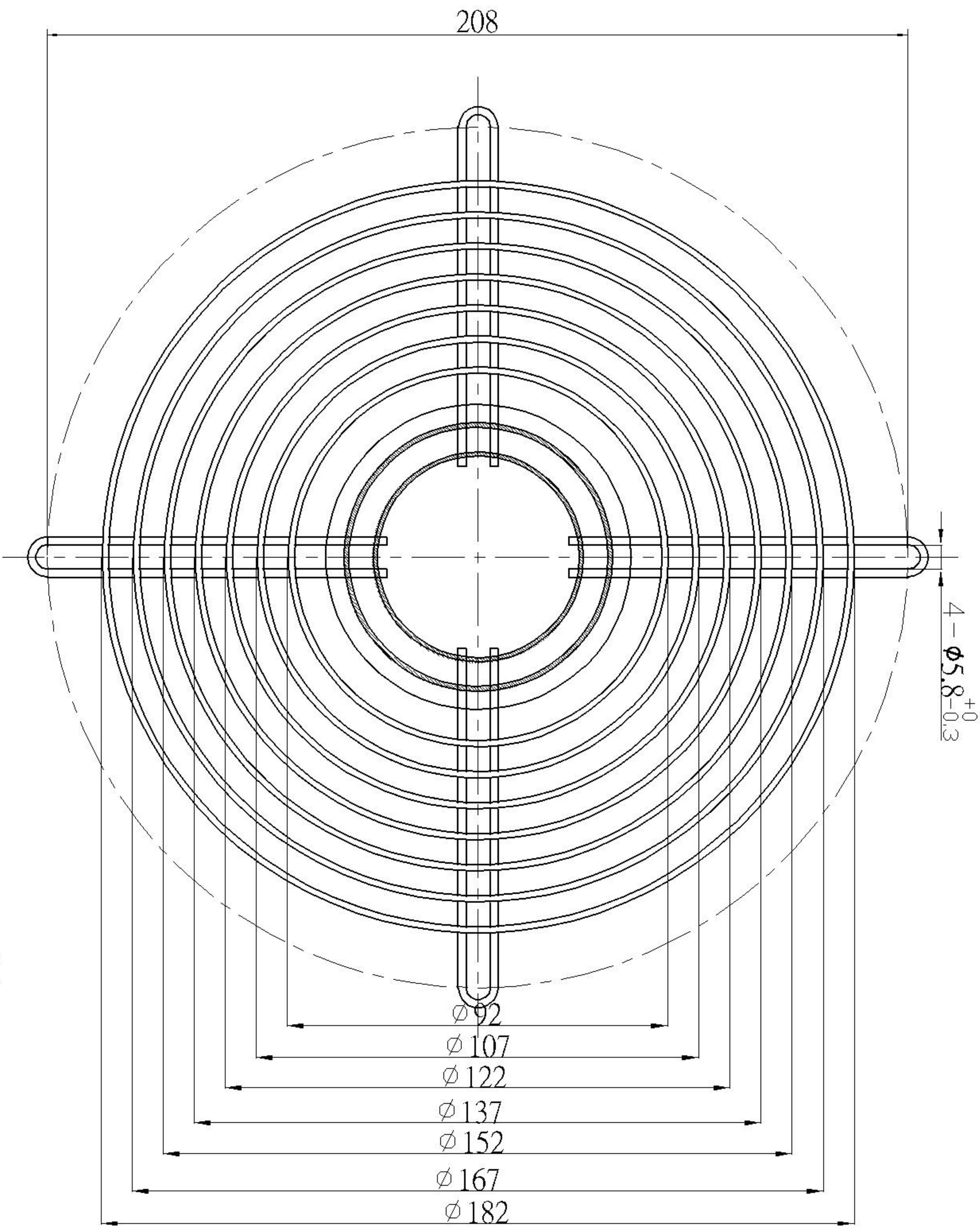
Part Number:

SC100-W7

Material: C1008 Steel
 Finish: Bright Nickel Chrome Plating
 Ring Diameter: 1.5mm
 Rib Diameter: 2.0mm
 Disc T=1.0mm
 General Tolerance Unless Noted: ±0.5mm
 Unit: mm
 RoHS Compliant



T=1.0



These drawings are the property of Gardtec, Inc and cannot be reproduced for or communicated to a third party without the express written permission of Gardtec, Inc.