



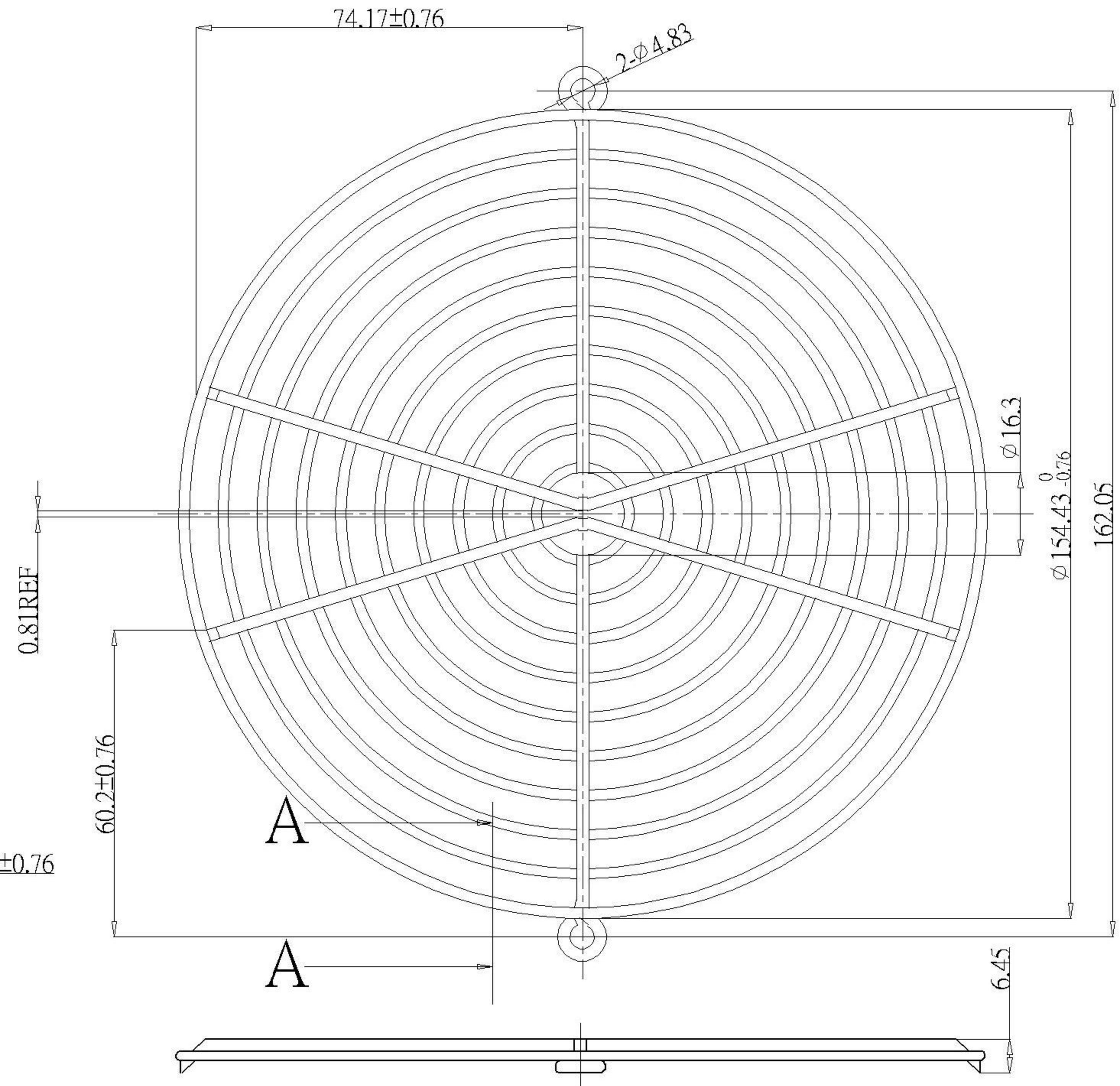
GARDTEC

Revision	Date	Approved	Name

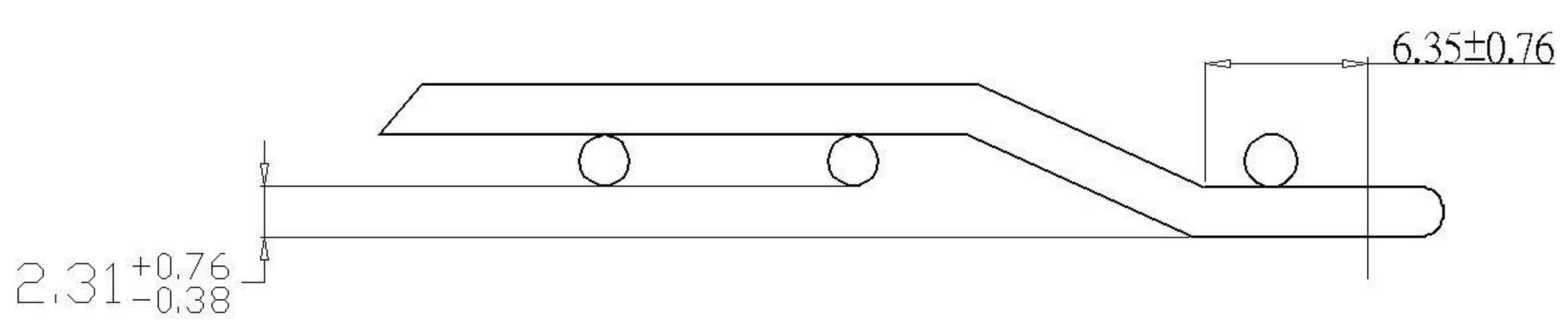
Part Number:

SC162-W5SS

Material: SUS304 Stainless Steel Wire
 Finish: Electrolysis
 Ring Diameter: 1.8mm
 Rib Diameter: 2.3mm
 General Tolerance Unless Noted: ± 0.5 mm
 Unit: mm
 RoHS Compliant



A A



These drawings are the property of Gardtec, Inc and cannot be reproduced for or communicated to a third party without the express written permission of Gardtec, Inc.